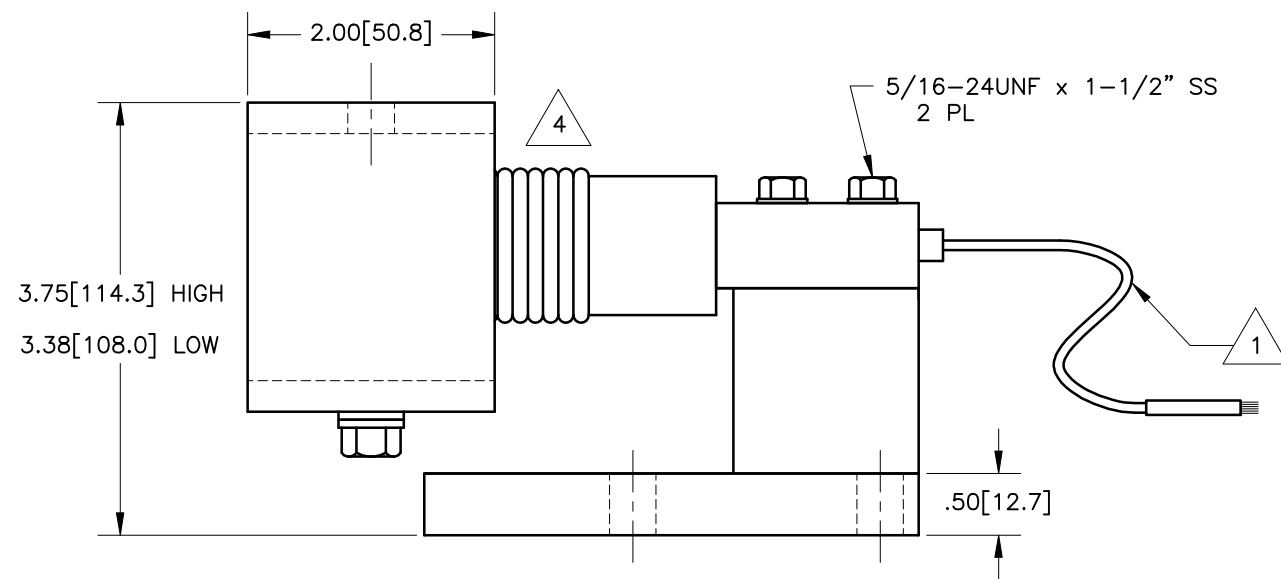
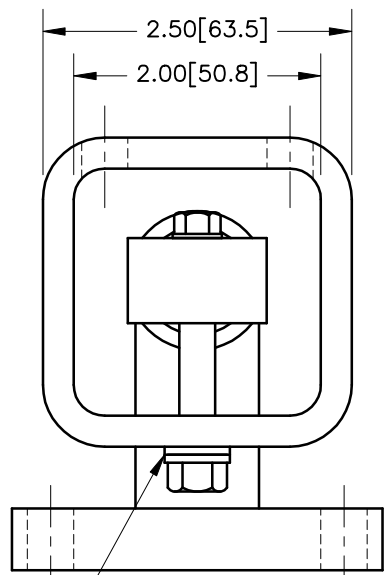
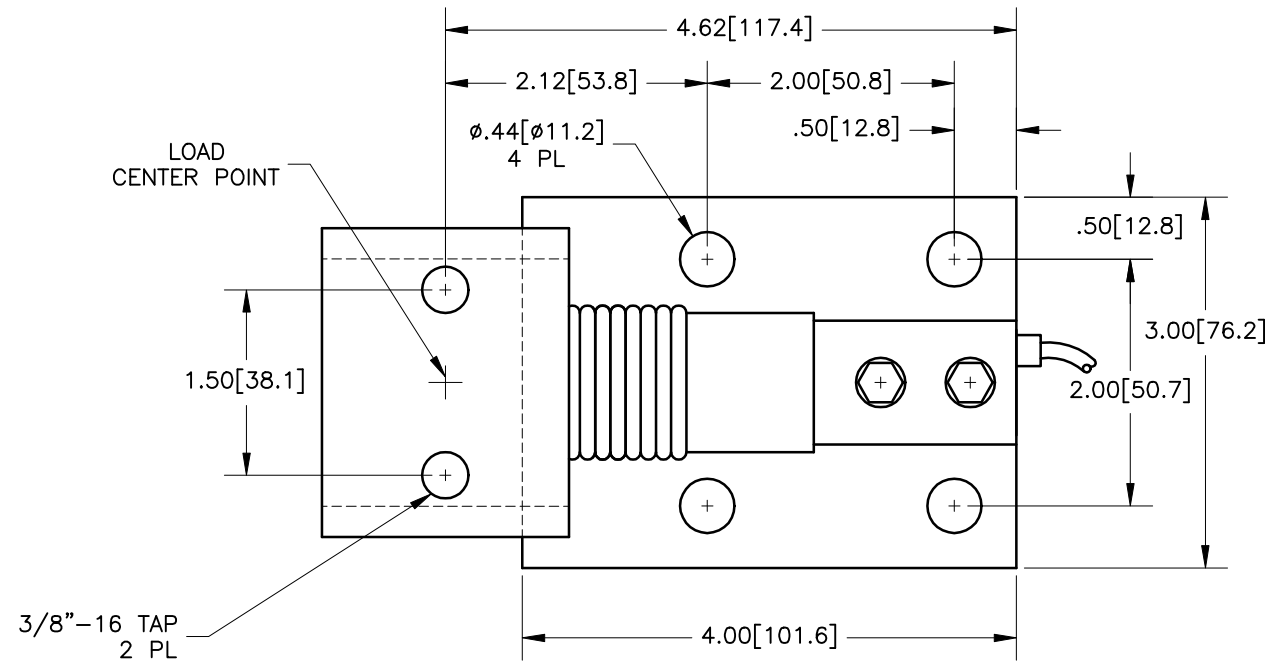


REV.	ECO/DDC	DESCRIPTION	DATE	DRAFT	CHECK	APV'D
A	----	RELEASED FOR PRODUCTION.	4-13-95	MK	TK	MM
B	7078	REVISED PER ECN.	1-31-97	R.B.	PW	



MODEL NO. & CAPACITY			
MODEL NO.	CAPACITY LBS.	MODEL NO.	CAPACITY LBS.
HI LPH010-33C STAINLESS	10	HI LPH110-33C STAINLESS	110
HI LPH010-32C PLATED		HI LPH110-32C PLATED	
HI LPH022-33C STAINLESS	22	HI LPH220-33C STAINLESS	220
HI LPH022-32C PLATED		HI LPH220-32C PLATED	
HI LPH044-33C STAINLESS	44	HI LPH440-33C STAINLESS	440
HI LPH044-32C PLATED		HI LPH440-32C PLATED	

**ELECTRICAL TERMINATION—CABLE COLOR CODES**

EXC+	GREEN OR TWISTED PAIR GREEN/BLUE
EXC-	BLACK OR TWISTED PAIR BLACK/GRAY
SHIELD	ORANGE OR YELLOW
C2+	GRAY
C2-	VIOLET
SIG+	WHITE
SIG-	RED

- 6. DIMENSIONS WITHIN [ BRACKETS ] ARE IN MILLIMETERS.
- 5 TWISTED PAIR EXC+ WIRES ARE SOLDERED TOGETHER.  
TWISTED PAIR EXC- WIRES ARE SOLDERED TOGETHER.
- 4 BELLOWS LENGTH MAY VARY.
- 3. ALL SENSORS ARE STAINLESS STEEL. MOUNTS ARE AVAILABLE IN BOTH PLATED AND STAINLESS STEEL. SEE TABLE ABOVE.
- 2. STANDARD LOAD SENSOR, HI HBB01 SERIES, HERMETIC SEALED.
- 1 STANDARD LOAD SENSOR CABLE LENGTH IS 10 FT MIN.

**NOTES: UNLESS OTHERWISE SPECIFIED**

PROPRIETARY NOTICE  
ALL DATA AND INFORMATION CONTAINED IN OR DISCLOSED BY THIS DOCUMENT IS CONFIDENTIAL AND PROPRIETARY INFORMATION OF HARDY INSTRUMENTS INC. AND ALL RIGHTS THEREIN ARE EXPRESSLY RESERVED. BY ACCEPTING THIS MATERIAL THE RECIPIENT AGREES THAT THIS MATERIAL AND THE INFORMATION CONTAINED THEREIN IS HELD IN CONFIDENCE AND IN TRUST AND SHALL NOT BE USED, COPIED, REPRODUCED IN WHOLE OR IN PART, NOR ITS CONTENTS REVEALED IN ANY MANNER TO OTHERS, EXCEPT TO MEET THE SPECIFIC PURPOSE FOR WHICH IT WAS DELIVERED.

ITEM	QTY	PART NUMBER	DESCRIPTION	COMMENTS
0588-0067 OUTLINE DRAWING, LOAD POINT ASSEMBLY, HI LPH, W/C2				
PARTS LIST				
UNLESS OTHERWISE SPECIFIED DIMENSIONS ARE IN INCHES TOLERANCES ARE: FRACTIONS: N/A DECIMALS: .XX = ±.03 .XXX = ±.010 ANGLES: ±0°, 30'			CONTRACT NO.	
MATERIAL			APPROVALS	
FINISH			DRAWN MK	DATE 4-13-95
DO NOT SCALE DRAWING			CHECKED T. KOPCZYNSKI	DATE 4-17-95
			APPROVED MM	DATE 4-17-95
			ISSUED	DATE
			PRODUCTION	DATE
TITLE				
OUTLINE DRAWING, LOAD POINT ASSEMBLY, HI LPH, W/C2				
SIZE	FSCM	DRAWING NO.	REV.	
D	21316	0588-0067	B	
FILE NAME: 588067B1.DWG		SCALE: NONE	SHEET 1 OF 1	